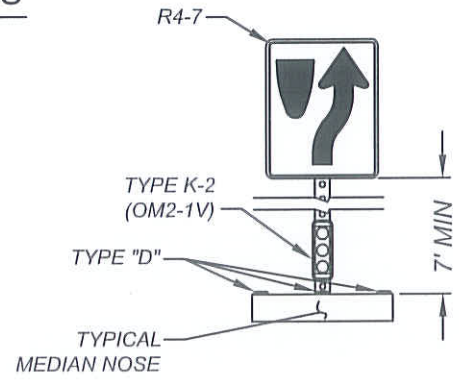
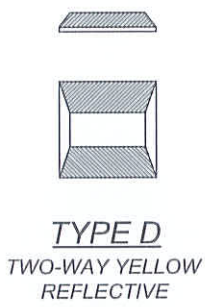
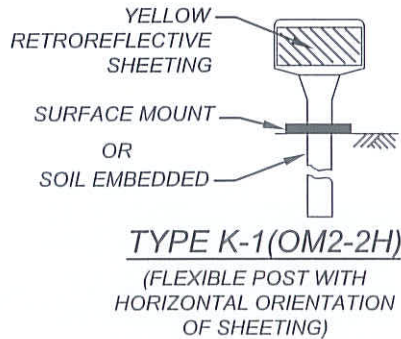




**MARKER DETAILS**



**LEGENDS**

- R4-7 MEDIAN SIGN AND TYPE K-2 (OM2-1V) OBJECT MARKER
- TYPE K-1 (OM2-2H) OBJECT MARKER
- TYPE "D" RAISED PAVEMENT MARKER

NOT TO SCALE

|   |  |   |  |
|---|--|---|--|
|  | RECOMMENDED:<br> <span style="float: right;">1/22/14</span><br>DIVISION MANAGER <span style="float: right;">DATE</span> | <h2 style="margin: 0;">CITY OF MORENO VALLEY</h2> <p style="margin: 0;">PUBLIC WORKS DEPARTMENT - TRANSPORTATION ENGINEERING DIVISION</p> | STANDARD PLAN<br><h3 style="margin: 0;">MVL-419-0</h3> |
|   | APPROVED:<br> <span style="float: right;">1/29/14</span><br>PUBLIC WORKS DIRECTOR / DATE<br>CITY ENGINEER               | <h2 style="margin: 0;">MEDIAN NOSE TREATMENT</h2>   | SHEET 1 OF 1   |