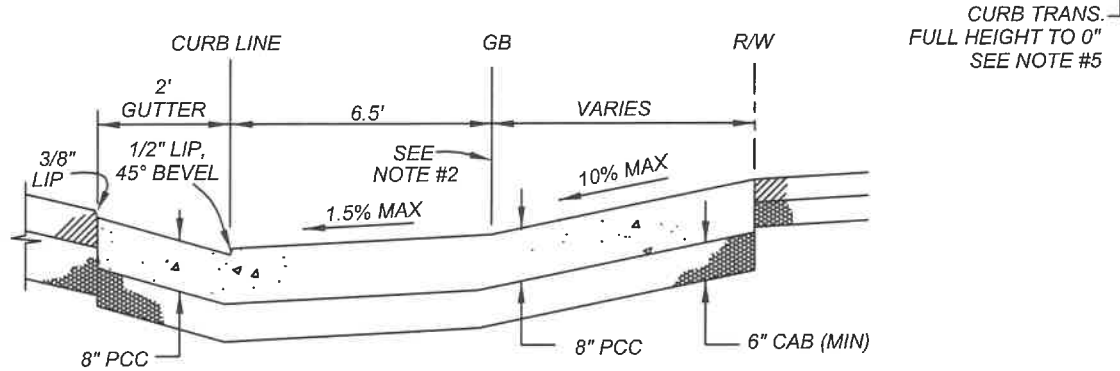


PLAN VIEW



SECTION "A-A"

NOTES:

- 1.) TYPE IV APPROACH SHALL BE USED WHEN SIDEWALK IS ADJACENT TO CURB AND RIGHT-OF-WAY IS NOT AVAILABLE TO BUILD A TYPE III APPROACH.
- 2.) WEAKENED PLANE JOINT REQUIRED AT CENTERLINE OF APPROACH AND AT LOCATIONS AS SHOWN, SPACED 10' MAX AND AS NECESSARY.
- 3.) CONCRETE SHALL BE CLASS 560-C-3250, CURED WITH WHITE PIGMENTED CURING COMPOUND.
- 4.) TOP OF SIDEWALK RAMP SHALL HAVE A 12" WIDE BORDER WITH GROOVES 1/4" DEEP, WITH 1/8" RADIUS, AND SPACED AT 3/4" OC.
- 5.) "X" SHALL HAVE A MAXIMUM SLOPE OF 1:12 (8.33%), AND A MINIMUM SLOPE OF 1:15 (6.67%).
- 6.) RAMP SURFACE SHALL BE SLIP-RESISTANT AND SHALL BE OF CONTRASTING FINISH FROM ADJACENT SIDEWALK (ROUGH BROOM FINISH OR EQUIVALENT).
- 7.) ALL ACCESS RAMPS SHALL BE CONSTRUCTED TO THE MOST CURRENT REQUIREMENT OF THE AMERICANS WITH DISABILITIES ACT (ADA) STANDARDS/CALIFORNIA CODE OF REGULATIONS TITLE 24-ACCESSIBILITY REGULATIONS. ADJUSTMENTS SHALL BE MADE IN THE FIELD TO ACHIEVE RAMP CONDITIONS.
- 8.) FOR NEW DRIVEWAY APPROACHES ON EXISTING STREETS A 12" WIDTH OF ASPHALT CONCRETE SHALL BE REMOVED AND REPLACED TO FULL DEPTH.

NOT TO SCALE

	RECOMMENDED: <i>Henrygo</i> 7/16/19 DIVISION MANAGER DATE	<h2 style="margin: 0;">CITY OF MORENO VALLEY</h2> <p style="margin: 0;">PUBLIC WORKS DEPARTMENT - CAPITAL PROJECTS DIVISION</p>	STANDARD PLAN MVSI-112D-0
	APPROVED: <i>M. L. W. J.</i> w/julia PUBLIC WORKS DIRECTOR / DATE CITY ENGINEER	<h3 style="margin: 0;">COMMERCIAL DRIVEWAY APPROACH: TYPE IV</h3>	SHEET 4 OF 4